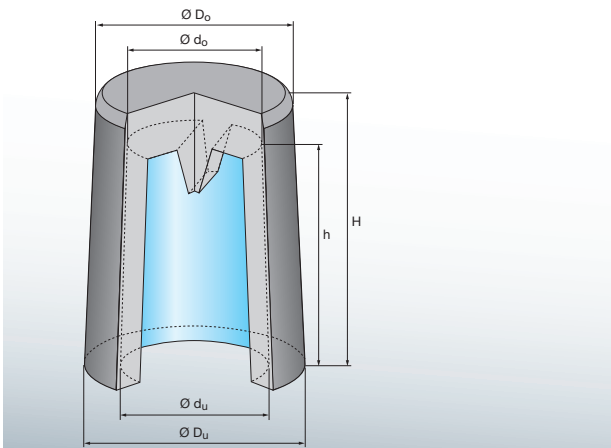


EXACTCAST KI (EX / EXF / IN)

Cold Box bonded, highly exothermic or insulating insertable riser sleeves for iron and cast steel and non-ferrous metals



Riser Types & Dimensions



- Ideally suited for automatic molding lines
- For pre-molding and post-molding insertion
- Extreme dimensional accuracy
- Low weight

EXACTCAST KI insertable riser sleeves are available in the following dimensions and packaging:

Type	Module		Riser capacity		Riser dimensions						Packaging
	exoth. cm	geom. cm	Volume dm ³	Weight kg	Ø D _o mm	Ø D _u mm	H mm	h mm	Ø d _u mm	Ø d _o mm	pcs./ pal.
KI 3/5	1.00	~ 0.60	0.03	0.21	44.0	47.0	49.0	39.5	35.0	30.5	7,776
KI 3,5/5	1.00	~ 0.60	0.03	0.21	49.0	53.5	49.0	39.5	35.0	30.5	6,048
KI 4/7	1.25	0.75	0.07	0.49	58.5	62.0	72.0	63.0	41.5	35.5	3,024
KI 4/95	1.30	0.80	0.10	0.70	59.0	63.0	97.0	86.0	42.5	36.0	2,268
KI 5/8	1.55	0.95	0.13	0.91	69.5	74.0	80.0	69.5	52.0	48.0	1,980
KI 6/9	1.70	1.05	0.18	0.98	75.5	80.5	92.0	78.0	57.5	52.5	1,260
KI 6/12	1.80	1.10	0.25	1.70	72.5	80.5	116.0	106.0	57.5	52.5	980
KI 7/10	2.00	1.25	0.30	2.10	89.0	94.5	99.5	87.0	69.5	65.0	900
KI 8/11	2.25	1.40	0.42	2.94	96.0	102.0	108.0	95.0	79.0	74.0	704
KI 9/12	2.50	1.55	0.58	4.06	109.5	115.0	120.0	103.5	89.0	81.0	420
KI 10/13	2.80	1.75	0.80	5.60	119.0	127.5	133.0	117.0	97.0	91.0	392
KI 12/15	3.20	2.00	1.35	9.45	147.0	154.5	150.0	130.0	118.0	112.0	216
KI 14/17	3.90	2.40	2.11	14.77	173.0	182.0	170.0	150.0	140.0	133.0	120
KI 16/19	4.65	2.80	3.10	21.70	198.0	208.0	190.0	166.0	161.0	153.0	80

EXACTCAST KI (EX / EXF / IN)

Technical & Ecological Advantages

- Suitable for gray iron, ductile iron, malleable metal and cast steel
- Available in fluorine-free (EXF) and low-fluorine (EX) formulations
- Fiber-free (important for health & safety at work)
- All models are also available with a breaker core
- By using fluorine-free risers, the sand system is free from fluorine contaminants

Product Storage Conditions

- 36 months (if stored in dry conditions and intact original packaging)
- Protect from moisture
- Keep away from open flames and other ignition sources
- Read the Material Safety Data Sheet